



Contents lists available at ScienceDirect

Biochemical and Biophysical Research Communications

journal homepage: www.elsevier.com/locate/ybbrc

Dissecting the regulation of yeast genes by the osmotin receptor

Brian R. Kupchak, Nancy Y. Villa, Lidia V. Kulemina, Thomas J. Lyons*

Department of Chemistry, University of Florida, P.O. Box 117200, Gainesville, FL 32611, USA

ARTICLE INFO

Article history:

Received 30 June 2008

Available online 14 July 2008

Keywords:

Osmotin
 IZH2
 Izh2p
 Iron
 Zinc
 Yeast

ABSTRACT

The Izh2p protein from *Saccharomyces cerevisiae* is a receptor for the plant antifungal protein, osmotin. Since Izh2p is conserved in fungi, understanding its biochemical function could inspire novel strategies for the prevention of fungal growth. However, it has been difficult to determine the exact role of Izh2p because it has pleiotropic effects on cellular biochemistry. Herein, we demonstrate that Izh2p negatively regulates functionally divergent genes through a CCCTC promoter motif. Moreover, we show that Izh2p-dependent promoters containing this motif are regulated by the Nrg1p/Nrg2p and Msn2p/Msn4p transcription factors. The fact that Izh2p can regulate gene expression through this widely dispersed element presents a reasonable explanation of its pleiotropy. The involvement of Nrg1p/Nrg2p in Izh2p-dependent gene regulation also suggests a role for this receptor in regulating fungal differentiation in response to stimuli produced by plants.

© 2008 Elsevier Inc. All rights reserved.

The Izh2p protein from *Saccharomyces cerevisiae* was found to function as a receptor for a plant protein called osmotin [1]. This discovery is intriguing because osmotin belongs to the PR-5 family of defensins that possesses broad-spectrum antifungal activity and a better understanding of how plant PR-5 defensins affect fungi can be used affect to develop novel antifungal pharmaceuticals. Not surprisingly, there is considerable interest in characterizing the biochemical role of Izh2p and mapping the pathway through which it affects yeast physiology.

However, Izh2p has been implicated in a variety of biochemical processes ranging from iron and zinc homeostasis [2] to the metabolism of lipids and phosphate [3] to programmed cell death [1]. To complicate the issue even further, Izh2p overexpression affects both a general stress responsive transcriptional reporter and the expression of a gene involved in filamentous growth [4]. Thus, *IZH2* is a pleiotropic gene that cannot yet be functionally assigned to any one particular biochemical pathway. The purpose of this study is to shed light on the origin of this pleiotropy by developing a clearer picture of how Izh2p regulates specific genes.

As a starting point, we used the fact that Izh2p overexpression represses the expression of two specific genes. This effect can be attributed to basal signaling capability of the receptor, which, when present at elevated levels, can activate its downstream signal transduction pathway [5]. Herein, we present an analysis of the promoter regions of these two Izh2p-regulated genes that indicates a CCCTC motif is responsible for their response to Izh2p. This motif has been shown to function as a binding site for the Nrg1p

and Nrg2p transcriptional repressors [6] and may competitively bind the Msn2p and Msn4p transcriptional activators [7]. This short motif can be found in the promoters of hundreds of functionally divergent yeast genes, a fact that may help explain the pleiotropy of Izh2p and lead to a better understanding of how PR-5 defensins, through their interaction with Izh2p, affect fungal physiology.

Materials and methods

Yeast strains and growth conditions. MCY5326 wild type, MCY5338 (*msn2Δmsn4Δ*), MCY5378 (*nrg1Δnrg2Δ*) and MCY5385 (*msn2Δmsn4Δnrg1Δnrg2*) have been described previously [7]. All other yeast strains used in this study were purchased from Euroscarf (Frankfurt, Germany) and are in the BY4742 background. Strains were grown in either chelexed synthetic medium (CSM), low iron medium (LIM) or low zinc medium (LZM) the compositions of which have been previously described [2,4,8]. For CSM, which is a nutrient drop-out medium, metal-repletion is achieved by adding 10 μM of the respective metal. For LIM and LZM, which contain EDTA, the addition of 1 μM of each metal is considered metal-deficient, while 1 mM is considered metal-replete. For all media, 2% galactose is used as the carbon source to induce the expression of genes driven by the *GAL1* promoter.

Plasmids. All plasmids have been previously described as indicated by the references. pFET3-398 and pFET3-297 are episomal reporter plasmids in which *lacZ* is driven by different truncations of the *FET3* promoter (−398 to +3 and −297 to +3, respectively) [4]. Both constructs are induced by iron-deficiency via the Aft1p-transcription factor due to the presence of an iron-response

* Corresponding author. Fax: +1 352 846 2095.

E-mail address: lyons@chem.ufl.edu (T.J. Lyons).

element between –252 and –245 (see Supplemental Fig. 1A). pZRT1-521, pZRT1-361, pZRT1-305, and pZRT1-201 are integrating reporter plasmids in which *lacZ* is driven by different truncations of the *ZRT1* promoter (–521 to +3, –361 to +3, –305 to +3, and –201 to +3, respectively). The *ZRT1* promoter contains at least three functional zinc-response elements (ZREs: ZRE3, –445 to –434; ZRE1, –318 to –309; and ZRE2, –202 to –191) to which the Zap1p transcriptional activator binds during zinc-deficiency [9] (see Supplemental Fig. 1B). pZRT1-ZRT1ET is a centromeric plasmid containing an HA-epitope tagged *ZRT1* open reading frame driven by approximately 600 base pairs of the native *ZRT1* promoter [10]. pZPS1-*lacZ*, pZRC1-*lacZ*, pOLE1-*lacZ*, and pFET4-*lacZ* contain ~1000 base pairs of the *ZPS1*, *ZRC1*, *OLE1*, and *FET4* promoters fused to *lacZ* [2,8]. Plasmids pCYC1(*ZRT1*ZRE1)-*lacZ* and pCYC1(*IZH1*ZRE)-*lacZ* consist of the *lacZ* gene driven by the minimal *CYC1* promoter into which fragments of the *ZRT1* or *IZH1* promoters containing functional zinc-response elements (ZREs) have been inserted [8] (see Supplemental Fig. 1C). pGAL1-*IZH2* contains the *IZH2* gene driven by the *GAL1* galactose-inducible promoter and is derived from the pRS316 expression vector [2]. pGAL1-*NRG2* contains a *GAL1*-driven TAP-tagged (Tandem Affinity Purification) *NRG2* construct and was purchased from OpenBiosystems.

Biochemical assays. β -Galactosidase assays [2] and total membrane protein preparations [4] were performed as previously described. Western blots on SDS-PAGE gels loaded with equal amounts of total membrane protein lysate were performed using standard chemiluminescence protocol with rabbit polyclonal anti-HA primary and goat anti-rabbit IgG-HRP conjugate secondary antibodies (Santa Cruz Biotechnology). Pattern searching for motifs in yeast promoters was performed using RSA tools (<http://rsat.ulb.ac.be/rsat/>) by defining a promoter as 800 base pairs upstream of ATG excluding overlap with upstream genes.

Results and discussion

Izh2p negatively regulates the *ZRT1* promoter

Because of its suspected involvement in zinc metabolism, we analyzed the effect of *Izh2p* overexpression on *ZRT1*, the gene that encodes the high-affinity zinc-uptake transporter. *Izh2p* overexpression repressed the ability of Zap1p to induce the expression of pZRT1-521 and pZRT1-361 during zinc-deficiency (Fig. 1A) and resulted in decreased accumulation of HA-tagged Zrt1p protein driven by ~600 base pairs of *ZRT1* promoter (Fig. 1B). These results indicate that *Izh2p* negatively regulates the *ZRT1* gene. *Izh2p* overexpression had no effect on basal expression of pZRT1-521 (Fig. 1C) or inducible expression of pZRT1-305 (Fig. 1A), indicating that the effect of *Izh2p* requires induction by Zap1p but does not globally affect the ability of Zap1p to activate genes.

Defining the *Izh2p*-response element

pZRT1-305 is not repressed by *Izh2p* overexpression, indicating that *Izh2p* exerts its effects on a regulatory element between –361 and –305 of the *ZRT1* promoter. We previously found that *Izh2p* similarly represses the Aft1p-inducible expression of the *FET3* gene by affecting a regulatory element between –398 and –297 of the *FET3* promoter [4]. We scanned these regions of the *FET3* and *ZRT1* promoters for similar sequences and found a conserved ACCCTC motif (Fig. 2A).

In the *ZRT1* promoter, this motif directly overlaps ZRE1 (–318 to –309). To determine if this motif is sufficient to confer *Izh2p*-responsiveness onto a promoter, we measured the effect of *Izh2p* overexpression on pCYC1(*ZRT1*ZRE1)-*lacZ*. This construct was both zinc-responsive due to the presence of ZRE1 and *Izh2p*-repressible

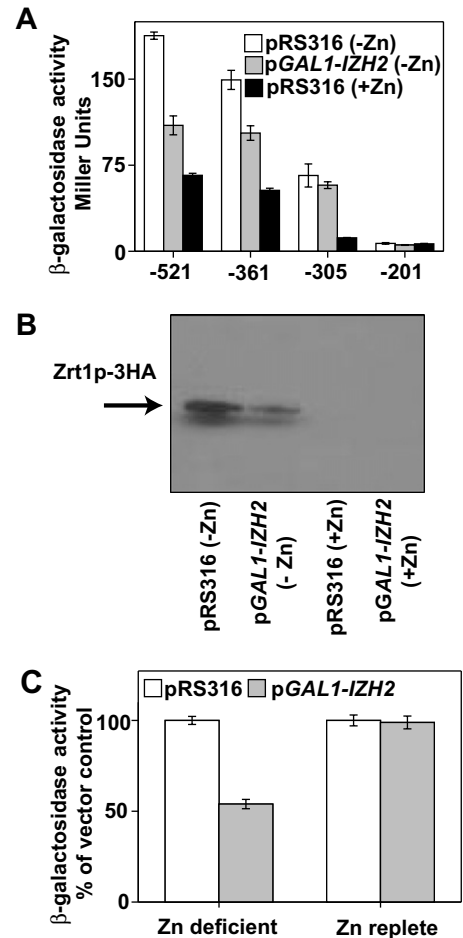


Fig. 1. Regulation of *ZRT1* by *Izh2p*. In all panels, cells were grown in zinc-replete (+Zn) or zinc-deficient (–Zn) LYM. Cells either carry pRS316 or pGAL1-*IZH2*. (A) The effect of *Izh2p* overexpression on various pZRT1-*lacZ* fusion constructs. Numbers indicate the amount of upstream sequence contained in each construct. (B) Effect of *Izh2p* overexpression on the accumulation of HA-tagged Zrt1p expressed from the pZRT1-ZRT1ET plasmid. (C) The effect of *Izh2p* overexpression on pZRT1-521.

due to the presence of the ACCCTC motif (Fig. 2B). pCYC1(*IZH1*ZRE)-*lacZ*, another reporter containing a different ZRE, did not respond to *Izh2p* overexpression, confirming that *Izh2p* did not generally repress all reporters containing ZREs (Fig. 2B).

Thus, this ACCCTC motif, which we are calling the *Izh2p*-Response Element (*IzRE*) is sufficient to confer *Izh2p*-responsiveness onto promoters and we found putative *IzRE*s in the promoters of over 600 yeast genes. We already possessed promoter-*lacZ* fusion constructs for three of these genes—*ZRC1*, *ZPS1*, and *OLE1* [2,8]. pZPS1-*lacZ* and pZRC1-*lacZ* are induced by zinc-deficiency and, as expected, their zinc-dependent induction was repressed by *Izh2p* overexpression (Fig. 2D). pOLE1-*lacZ* is inducible by iron-deficiency [2] and its iron-dependent induction was repressible by *Izh2p* overexpression (Fig. 2E). The *IzRE* in the *OLE1* promoter is in the opposite orientation relative to ATG, suggesting the orientation of the *IzRE* may not be important. We also previously showed that a fifth promoter construct, pMUC1-*lacZ*, is repressible by *Izh2p* overexpression [4], yet this promoter contains a variant TCCTC motif, suggesting that the functional *IzRE* can tolerate changes at the first position. However, the pFET4-*lacZ* construct, which contains CCCCTC, is actually inducible by both zinc-deficiency and iron-deficiency [11], but unresponsive to *Izh2p* overexpression under either condition (Figs. 2D and E). Thus, the consensus *IzRE* is (A/T)CCCTC at this point, although more work is required to define all functional variations in the motif.

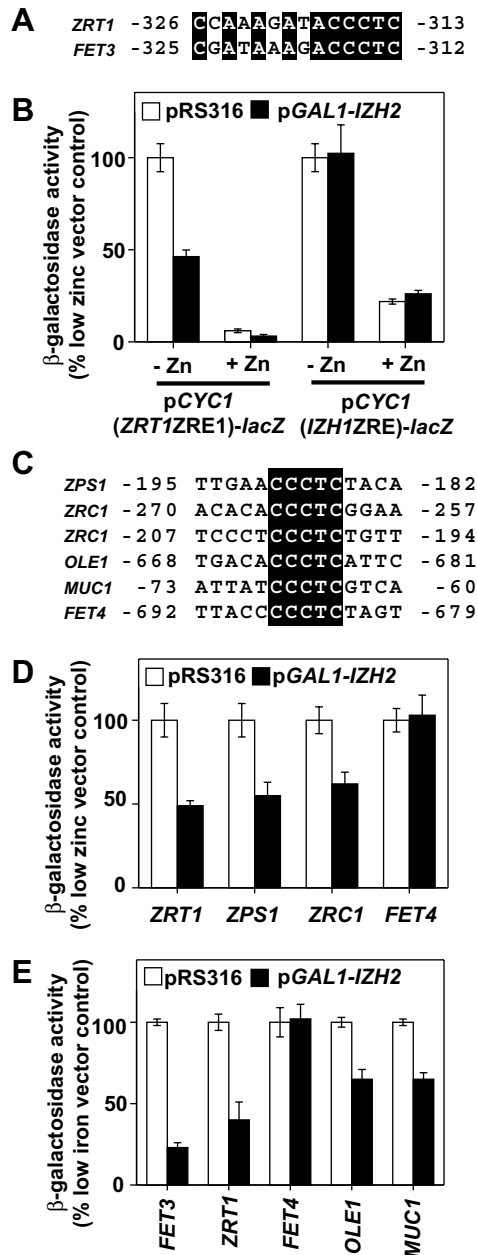


Fig. 2. Identification of the *Izh2p*-response element. In (B), (D), and (E), cells carry either pRS316 or pGAL1-IZH2. (A) Conserved regions of the *FET3* and *ZRT1* promoters. (B) The effect of *Izh2p* overexpression on either pCYC1(*ZRT1ZRE1*)-*lacZ* or pCYC1(*IZH1ZRE*)-*lacZ*. Cells are grown in LZM. (C) Location of putative *Izh2p*-response elements in various genes. (D,E) Effect of *Izh2p* overexpression on the ability to induce various promoter-*lacZ* constructs. Cells were grown in zinc-deficient (D) or iron-deficient (E) CSM.

Nrg1p and *Nrg2p* as *Izh2p*-dependent repressors

Footprinting analysis revealed that CCCTC is a binding site for the *Nrg1p*/*Nrg2p* transcriptional repressors [6], suggesting that the *IzhRE* is an *Nrg1p*/*Nrg2p* binding site. Indeed, *Nrg1p* has already been identified as a repressor of the *Izh2p*-regulated *ZPS1* and *MUC1* genes [7] and we previously showed that *Nrg1p*/*Nrg2p* are required for *Izh2p*-dependent *FET3* repression [4]. Figs. 3A and B show that *Nrg1p*/*Nrg2p* were also required for *Izh2p*-dependent repression of pZRT1-521 and pCYC1(*ZRT1ZRE1*)-*lacZ*. Consistent with the involvement of *Nrg1p*/*Nrg2p* in *Izh2p*-dependent repression, we also previously showed that overexpression of *Nrg2p* had the same

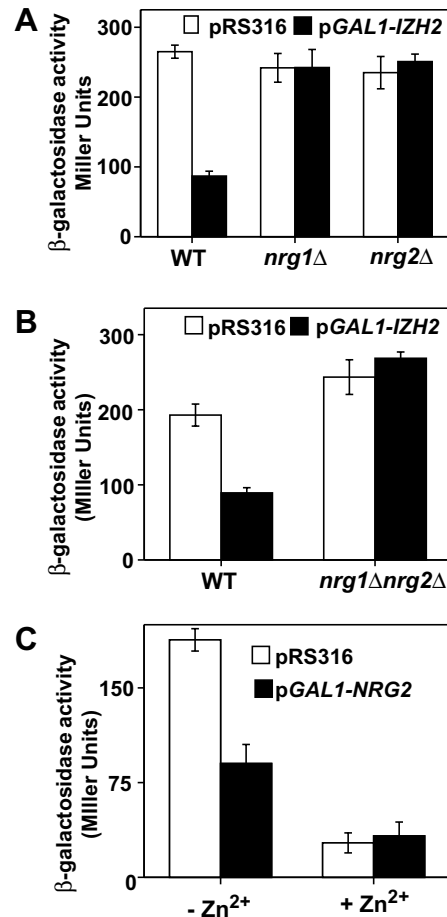


Fig. 3. *Izh2p*-dependent repression requires *Nrg1p* and *Nrg2p*. In all panels, cells carry either pRS316 or pGAL1-IZH2 and were grown in LZM. (A) The repression of pZRT1-521 by *Izh2p* overexpression in wild type (WT, BY4742) and isogenic mutant strains lacking either *Nrg1p* (*nrg1Δ*) or *Nrg2p* (*nrg2Δ*). (B) The repression of pCYC1(*ZRT1ZRE1*)-*lacZ* by *Izh2p* overexpression in wild type (WT, MCY5326) and an isogenic mutant strain lacking both *Nrg1p* and *Nrg2p* (*nrg1Δnrg2Δ*).

effect on *FET3* as *Izh2p*. Herein, we show that overexpression of *Nrg2p* also repressed the Zap1p-dependent induction of pCYC1(*ZRT1ZRE1*)-*lacZ* (Fig. 3C). The fact that the *IzRE* and *ZRE* overlap in this construct suggests that *Nrg2p* competes with Zap1p, and thereby represses inducible expression. The precise mechanism through which *Izh2p* affects the ability of *Nrg1p* and *Nrg2p* to serve as transcriptional repressors is still under investigation.

Msn2p and *Msn4p* as *Izh2p*-dependent activators

Izh2p affects the ability to induce *FET3* and *ZRT1*, but has no effect on either the Aft1p or Zap1p activators of these genes. This suggests that *Izh2p* negatively regulates the activity of a co-activator. We previously showed that the *Msn2p* and *Msn4p* transcription factors were essential co-activators of *FET3* expression [4]. This is demonstrated in Fig. 4A, which shows that, while pFET3-398 required *Msn2p* for iron-dependent induction, pFET3-297 did not. Hence, in addition to the *IzRE*, there is an *Msn2p*-dependent upstream co-activating element in the *FET3* promoter between -398 and -297. This finding is intriguing because recent findings suggest *Msn2p*/*Msn4p* compete with *Nrg1p*/*Nrg2p* for similar binding sites, including CCCTC, in a subset of promoters [7]. Thus, *Izh2p* could function by activating *Nrg1p*/*Nrg2p* or by inactivating *Msn2p*/*Msn4p*. Clearly, *Izh2p* does not work solely by inactivating *Msn2p*/*Msn4p* because its overexpression still represses the zinc-dependent induction of pZRT1-521 in a strain lacking *Msn2p* and *Msn4p* (Fig. 4B). In addi-

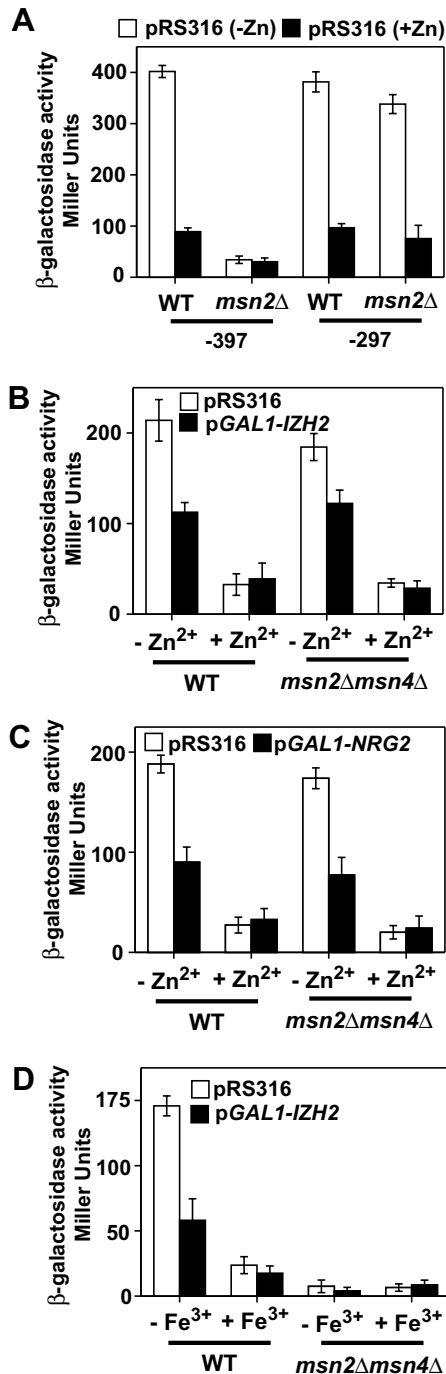


Fig. 4. Msn2p and Msn4p are essential co-activators of *ZRT1*. In all panels, cells carry either pRS2316 or pGAL1-*IZH2* and were grown in iron- or zinc-deficient CSM. (A) The effect of deletion of Msn2p (*msn2Δ*, BY4742 background) on the iron-responsiveness of two truncations of the pFET3-398 and pFET3-297 reporters. (B, C, and D) The effect of deletion of Msn2p and Msn4p (*msn2Δmsn4Δ*, MCY background) on the zinc- and Izh2p-responsiveness of pZRT1-521 (B), the zinc- and Nrg2p-responsiveness of pCYC1(*ZRT1ZRE1*)-*lacZ* (C), and the iron- and Izh2p-responsiveness of pZRT1-521 (D).

tion, Nrg2p overexpression still represses pCYC1(*ZRT1ZRE1*)-*lacZ* in the *msn2Δmsn4Δ* strain (Fig. 4C). Thus, activation of Nrg1p/Nrg2p is sufficient for Izh2p-dependent gene repression.

Finally, it is intriguing that the Aft1p-dependent induction of *FET3* is constitutively repressed in an *msn2Δmsn4Δ* strain [4], but the zinc-dependent induction of *ZRT1* is not. These results suggest that Msn2p/Msn4p plays no role in *ZRT1* expression. However,

recent genome-wide transcriptional analysis suggested that *ZRT1* is induced by iron-deficiency [12] and has a putative FeRE in its promoter between -364 and -358 (see Supplemental Fig. 1B). Fig. 4D shows that pZRT1-521 was both inducible by low iron and repressible by Izh2p overexpression in a manner that depends on the presence of Msn2p/Msn4p.

Summary

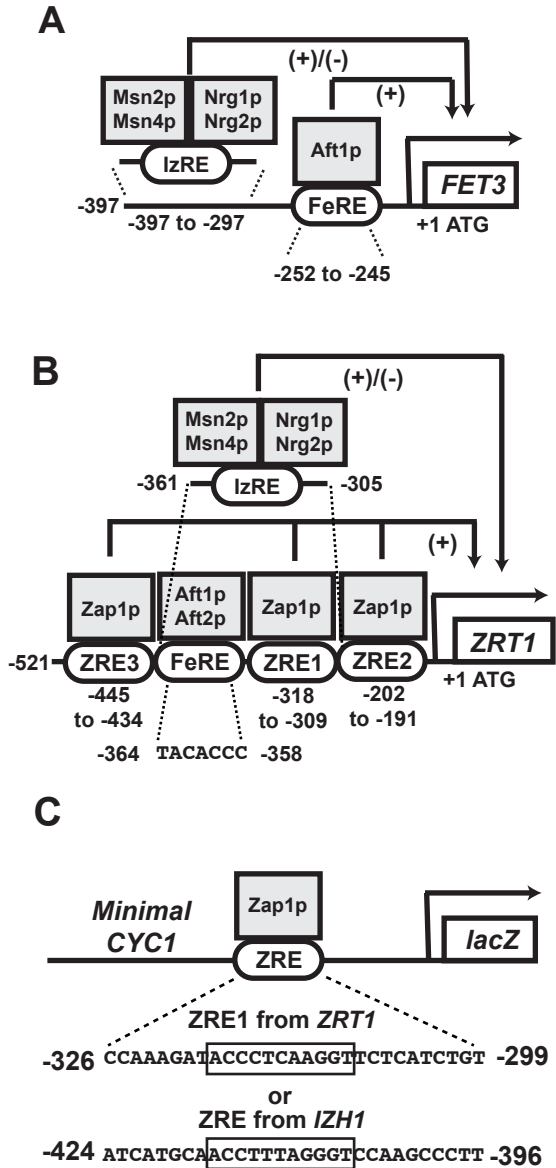
These results show that Nrg1p/Nrg2p are repressors of both *FET3* and *ZRT1*, while Msn2p/Msn4p are co-activators. Moreover, Msn2p/Msn4p likely compete with Nrg1p/Nrg2p for binding to the IzhRE. Izh2p affects gene expression by influencing the balance of this competition. Since Nrg1p/Nrg2p and Msn2p/Msn4p regulate hundreds of genes, their involvement in Izh2p-dependent gene regulation provides an explanation for the pleiotropy of this receptor. More importantly, however, their involvement provides a tantalizing clue to the physiological function of this receptor. Nrg1p/Nrg2p are negative regulators of fungal filamentation [7], suggesting that Izh2p, through Nrg1p/Nrg2p, could inhibit the yeast to filament transition. This is supported by a recent study in which *IZH2* was identified as a gene that, when overexpressed, repressed filamentous growth [13]. Thus, it is possible that plant PR-5 defensins are designed to influence fungal developmental programs by activating Izh2p. This would represent a new paradigm in plant-fungal interactions.

Appendix A. Supplementary data

Supplementary data associated with this article can be found, in the online version, at doi:10.1016/j.bbrc.2008.07.002.

References

- M.L. Narasimhan, M.A. Coca, J. Jin, T. Yamauchi, Y. Ito, T. Kadowaki, K.K. Kim, J.M. Pardo, B. Damsz, P.M. Hasegawa, D.J. Yun, R.A. Bressan, Osmotin is a homolog of mammalian adiponectin and controls apoptosis in yeast through a homolog of mammalian adiponectin receptor, *Mol. Cell* 17 (2005) 171–180.
- T.J. Lyons, N.Y. Villa, L.M. Regalla, B.R. Kupchak, A. Vagstad, D.J. Eide, Metalloregulation of yeast membrane steroid receptor homologs, *Proc. Natl. Acad. Sci. USA* 101 (2004) 5506–5511.
- I.V. Karpichev, L. Cornivelli, G.M. Small, Multiple regulatory roles of a novel *Saccharomyces cerevisiae* protein, encoded by YOL002c, in lipid and phosphate metabolism, *J. Biol. Chem.* 277 (2002) 19609–19617.
- B.R. Kupchak, I. Garitaonandia, N.Y. Villa, M.B. Mullen, M.G. Weaver, L.M. Regalla, E.A. Kendall, T.J. Lyons, Probing the mechanism of FET3 repression by Izh2p overexpression, *Biochim. Biophys. Acta* 1773 (2007) 1124–1132.
- J.L. Smith, B.R. Kupchak, I. Garitaonandia, L.K. Hoang, A.S. Maina, L.M. Regalla, T.J. Lyons, Heterologous expression of human mPRalpha, mPRbeta and mPRgamma in yeast confirms their ability to function as membrane progesterone receptors, *Steroids* (2008), doi:10.1016/j.steroids.2008.05.003.
- S.H. Park, S.S. Koh, J.H. Chun, H.J. Hwang, H.S. Kang, Nrg1 is a transcriptional repressor for glucose repression of *STA1* gene expression in *Saccharomyces cerevisiae*, *Mol. Cell. Biol.* 19 (1999) 2044–2050.
- V.K. Vyas, C.D. Berkey, T. Miyao, M. Carlson, Repressors Nrg1 and Nrg2 regulate a set of stress-responsive genes in *Saccharomyces cerevisiae*, *Eukaryot. Cell* 4 (2005) 1882–1891.
- T.J. Lyons, A.P. Gasch, L.A. Gaither, D. Botstein, P.O. Brown, D.J. Eide, Genome-wide characterization of the Zap1p zinc-responsive regulon in yeast, *Proc. Natl. Acad. Sci. USA* 97 (2000) 7957–7962.
- H. Zhao, E. Butler, J. Rodgers, T. Spizzo, S. Dueterhoeft, D. Eide, Regulation of zinc homeostasis in yeast by binding of the ZAP1 transcriptional activator to zinc-responsive promoter elements, *J. Biol. Chem.* 273 (1998) 28713–28720.
- R.S. Gitan, H. Luo, J. Rodgers, M. Broderius, D. Eide, Zinc-induced inactivation of the yeast *ZRT1* zinc transporter occurs through endocytosis and vacuolar degradation, *J. Biol. Chem.* 273 (1998) 28617–28624.
- B.M. Waters, D.J. Eide, Combinatorial control of yeast *FET4* gene expression by iron, zinc, and oxygen, *J. Biol. Chem.* 277 (2002) 33749–33757.
- J.C. Rutherford, L. Ojeda, J. Balk, U. Muhlenhoff, R. Lill, D.R. Winge, Activation of the iron regulon by the yeast Aft1/Aft2 transcription factors depends on mitochondrial but not cytosolic iron-sulfur protein biogenesis, *J. Biol. Chem.* 280 (2005) 10135–10140.
- R. Jin, C.J. Dobry, P.J. McCown, A. Kumar, Large-scale analysis of yeast filamentous growth by systematic gene disruption and overexpression, *Mol. Biol. Cell* 19 (2008) 284–296.



Missing caption for Figure 3C.

(C) The repression of p*CYCI*(*ZRT1ZRE1*)-*lacZ* by Nrg2p overexpression in the WT strain.